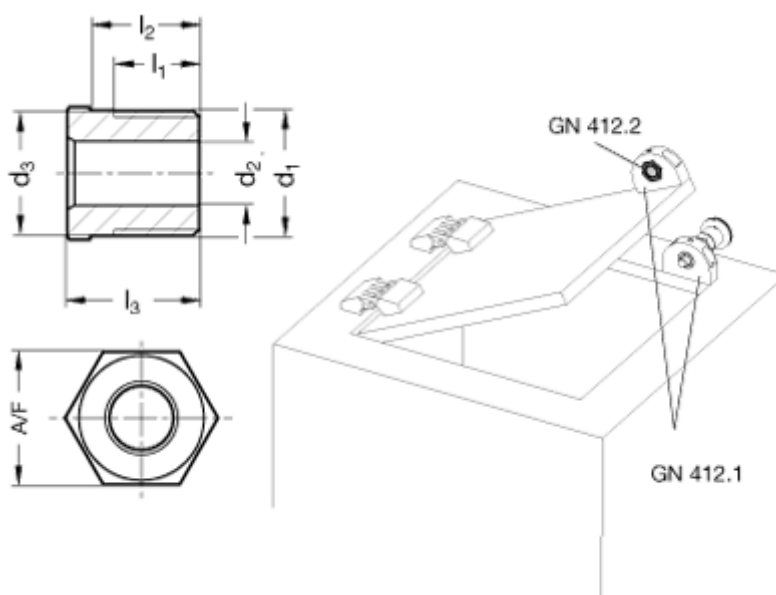


Article number: 201035000

Description: E+G Positioning bushing  
GN 412.2-M12x1,5-B4,2

## Measures



d1 = M 12 x 1,5

d2 = B 4,2

d3 = 12,1

l1 = 9

l2 = 12

l3 = 15

sw = 13